

HC100



## DESCRIPTION

Solenoid metering pump with constant flow rate, with pulse frequency control

- Dosing adjustment by knob;
- Double scale pulse frequency selector 0-100% and 0-20%.
- Standard power supply 230Vac – 50/60Hz. Other power supplies on request;
- On-Off switch;
- Manual priming valve;
- Green LED to show “pump switch-on”, red LED to shows pump dosing pulses.

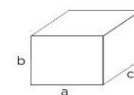
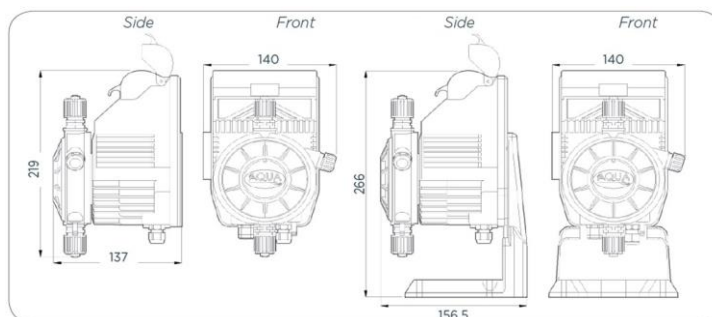
## STANDARDS

- no. 2004/108/CE EMC directive
- no. 2006/95/CE “DBT Low Voltage Directive”
- no. 2011/65/UE, 2002/96/CE “RoHs and WEEE directives”

## TECHNICAL FEATURES

HC100	Standard Version	Upon Request
Pump body	PP	PVDF/PVC automatic bleeding
Pump head	PP	-
Diaphragm	PTFE	-
Balls	PP	PTFE; ceramica/ceramic
Body Valve	PP	PVDF
O-rings	Viton®	Dutral®
Spring loaded injection valve	Hastelloy/Pyrex	Hastelloy - PTFE/Hastelloy - ceramic
Injection fitting	PP	PVDF
Suction & air bleed tube	PVC	-
Delivery tube	PP	-
Foot valve	PP	PVDF
Power supply	230v	110V-12VDC-24VDC

## DIMENSIONS



axbxc 192x160x250mm  
2.90kg

Code	Model	Flow rate l/h	Pressure bar	No. of strokes spm	Injection volume ml/stroke	Power supply	Consumption watt	Tubing IDxOD mm	Pump Head	Price B
AD1000207	02-07	2	7	105	0.31	230	15	4x6	PP 3/8"	£162.79
		5	3.5		0.79					
		8	1		1.26					
AD1000405	04-05	4	5	105	0.63	230	15	4x6	PP 3/8"	£162.79
		6.5	2.5		1.03					
		9	1		1.42					

Other sizes are available made to order. Please ask for further details



## INSTALLATION KIT

Code	Description	Price
ADSP6000078	PE delivery tube 4x6mm 2m length	£2.90 C
ADSP6000546	PVC suction/bleed hose 4x6mm 2m length	£2.04 C
ADSP6000001	Foot valve filter PP-VL-VT 4x6	£12.13 C
ADSP6200007	Injection valve ball ½" PP-GL-VT 4x6	£16.55 C
ADSP6020221	Wall fixing bracket	£5.47 C
ADSP6000041	Anchors & screws	£0.52 C



## ACCESSORIES & SPARE PARTS

Code	Description	Price	B
ADBAS100	Foot/tank mounting bracket to suit HC100 dosing pump	£16.55	
TANKMOUNT	Tank mounting foot bracket to suit HC100 dosing pump. When a pump/bracket and dosing tank are ordered we can pre-drill the tank for ease of installation. This includes fixings mounted into the tank at no extra cost	FOC	



Code	Description	Flow rate lt/h	Pressure bar	Connection	Price
ADSP60000S8A	Pump head 2-15/ltr PP-GL-VT	2-15	12	4x6mm	£56.24 C
ADSP60000S8P	Pump head 2-15/ltr PVDF-PTFE-VT	2-15	12	4x6mm	£99.25 C
ADSP6000136	HC 2-15ltr Automatic Bleed valve pump head	2-15	12	4x6mm	£113.46 C
ADSP6000136F	HC 2-15ltr Automatic Bleed valve pump head fitted to ordered pump	2-15	12	4x6mm	£66.17 B



Code	Description	Price
ADSPHC215	Wet end spares kit for HC 100	£57.94 C
ADSP5005006	Delivery/Suction Valve (2 required)	£14.35 C
ADSP5007001	suction delivery valve o rings (2 required)	£0.56 C
ADSP6000416	Diaphragm	£26.48 C
ADSP5007003	Diaphragm O ring	£1.66 C



Code	Model	Size (Øxh) mm	Volume (l)	Price
ADTANK0025	PE tank (Rectangular)	340x250x355h	25	£68.50 B
ADTANK006	PE tank	425x500	50	£102.91 A
ADTANK010	PE tank	500x680	100	£137.19 A
ADTANK020	PE tank	655x795	200	£165.27 A
ADTANK030	PE tank	655x1030	300	£274.38 A



Code	Model	Size (Øxh) mm	Volume (l)	Price
ADVSIC0025	PE Bund	425x300	25	£43.14 B
ADVSIC0025R	PE Bund	560x455x185h	25	£65.85 B
ADVSIC005	PE Bund	680x290	50	£99.78 A
ADVSIC010	PE Bund	810x350	100	£121.62 A
ADVSIC020	PE Bund	975x400	200	£149.67 A
ADVSIC030	PE Bund	940x630	300	£190.21 A



Code	Model	Price
PVCHOSE4/6	30 metre coil 4x6mm PVC hose	£19.25 B
PEHOSE3/8	30 metre coil 3/8" MDPE hose	£41.00 B
PEHOSE4/6	30 metre coil 4x6mm MDPE hose	£29.33 B
PTFE4/6HOSE	4x6mm PTFE hose (Per metre)	£4.50 B
PEHOSE4/6DW	Double wall 30 metre coil 4x6mm PE hose (Outer LDPE 10x12mm)	£105.00 B
PTFE4/6HOSEDW	Double wall 30 metre coil 4x6mm PTFE hose (Outer LDPE 10x12mm)	£230.00 B

